

Tapping Hole

- 20mm (3/4")
- 25mm (1")

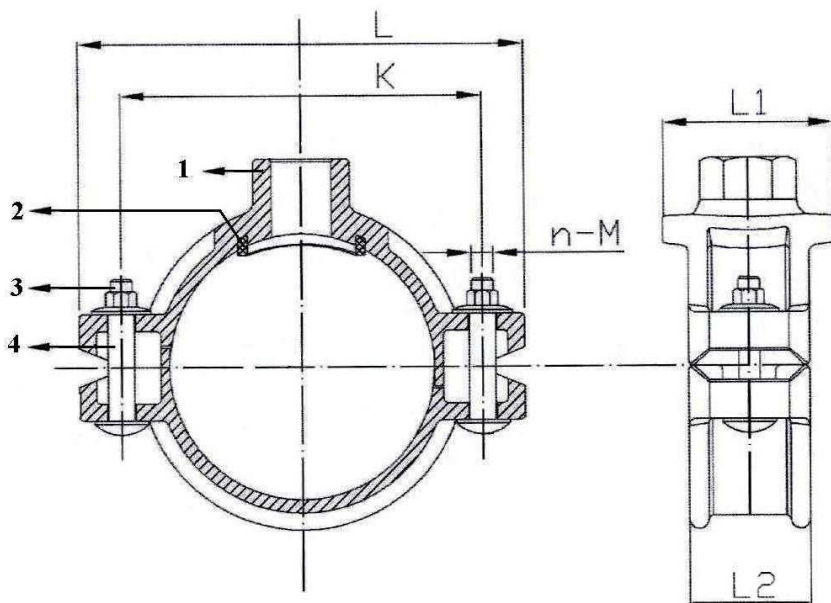
Coating

High solid epoxy coating standard, other coating on request.

Properties

Easy installation

Ductile Iron Ferrous Saddle For PVC, HDPE, D.I. & A.C. Pipes



SPECIFICATIONS

No	Part	Material Description
1	Body	Ductile Iron, BS EN 1563 Grade 500/7
2	O Ring	EPDM, ASTM D 70°- 80°IRHD
3	Jam Nut	Galvanized Iron
4	Bolt	Galvanized Iron

DIMENSIONS & WEIGHTS

DN	L	K	L1	L2	n - M
100	186	150	72	50	2-M12
150	250	212	72	53	2-M14
200	313	270	72	53	2-M16
250	385	325	73	53	2-M16

Sales Office :

TEK VALVE (M) SDN. BHD. (Company No : 524990-A)

PT 22432, Lot Asal 6535, Sungai Puloh, Batu 5 1/2,
Jalan Kapar, 42450 Klang, Selangor Darul Ehsan.

Tel : (006) 03-3291 3963

Fax:(006) 03-3290 5126

E-mail: tekvalve@yahoo.com